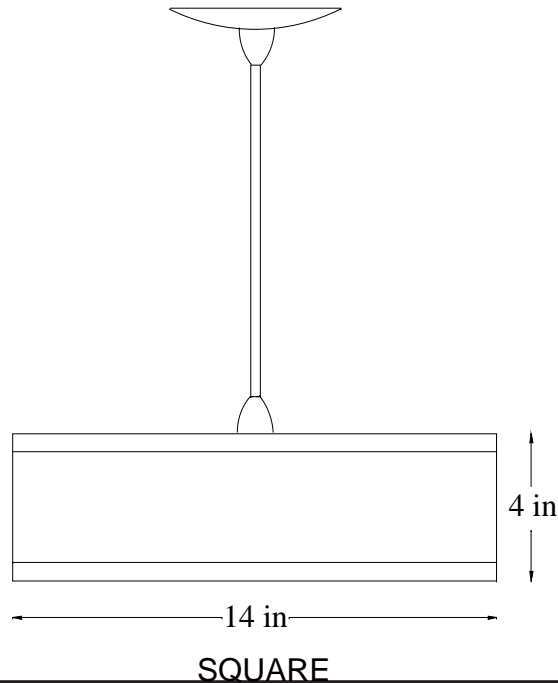




Square Short Pendant



SPECIFICATIONS

Construction

Fabric laminated to self extinguishing vinyl. Transparent fire retardant applied after fabrication.
Enclosed White linen fabric bottom

Mounting

Mounts to octagon junction box. 6' black cord is standard. Metal braided cord is optional. Cords can be field cut.

Electrical

ETL listed dry location only. Specify 120 or 277v. Ballast in canopy for CFL. Lamps by others.

Finishes

Satin nickel, polished nickel, satin brass, black

Modifications

Contact local representatives or factory for size, lamping, lens or finish modifications.

ORDERING LOGIC

Use matrix below to order complete fixture

Family	Lamping	Voltage*	Bottom	Material	Material	Material	Finish	Cord
SSP 14x14x4	D28 2D 3x60 CAND	120v 277v	White Linen	Linen White Cream Champagne Tan Celery Red Grape Green Apple Maize	Silk Platinum Lt. Bronze Copper	Raw Silk White Lt. Bronze Med. Bronze Gold	Satin Nickel Polished Nick. Satin Brass Black	Black Metal Braid

*Required for fluorescent