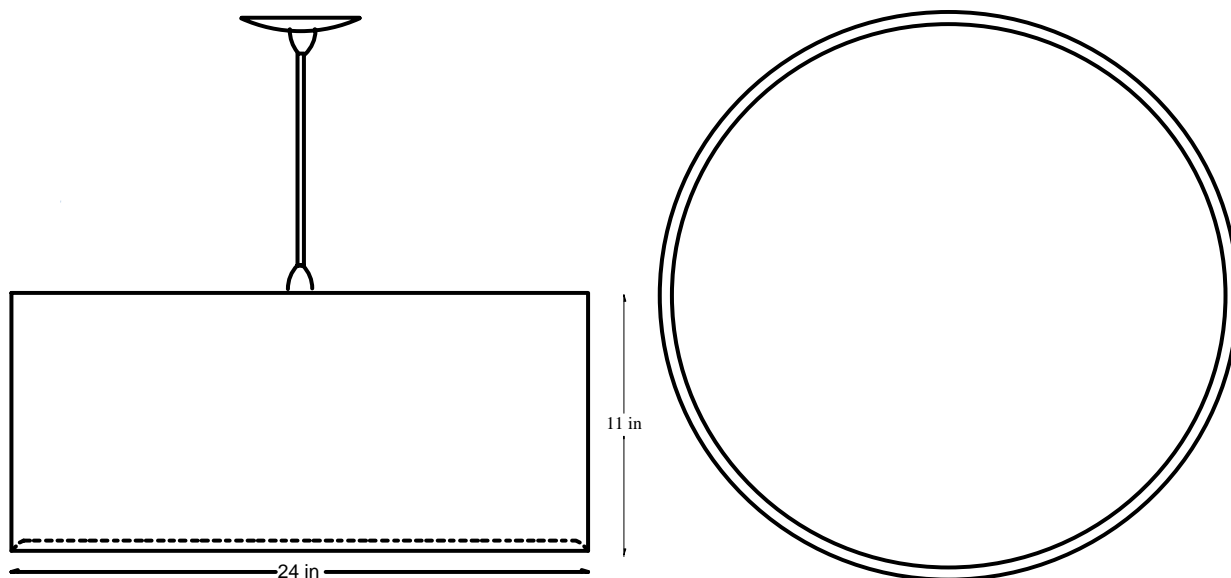




Medium Drum Pendant



SPECIFICATIONS

Construction

Fabric laminated to self extinguishing vinyl. Transparent fire retardant applied after fabrication.

Finishes

Metal hardware is available in satin nickel, polished nickel, satin brass and black

Electrical

ETL listed dry location only. Specify 120 or 277v. Lamps by others.

Bottom Shielding

White linen fabric bottom standard. Other fabrics available

Mounting

Mounts to octagon junction box or 4x4 junction box with round plaster adapter.

Modifications

Contact local representatives or factory for size, lamping, lens or finish modifications.

ORDERING LOGIC

Use matrix below to order complete fixture

Family	Model	Lamping	Voltage**	Finish	Cord 6' standard	Material	Material	Material
MDP	24x11	3xA100 A19 4xF13 GX23* 4xF32 G24q3	120v 277v	SN Satin Nickel PN Polish Nickel SB Satin Brass BL Black	Black standard Metal Braid	Linen White Cream Champagne Tan Celery Red Grape Green Apple Maize	Silk Platinum Lt. Bronze Copper	Raw Silk White Lt. Bronze Med. Bronze Gold

*120v NPF only

**Required for fluorescent