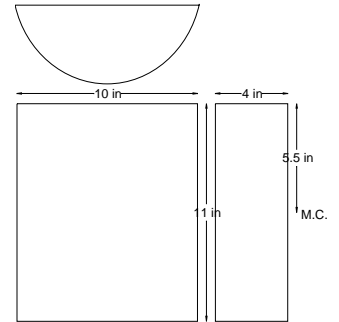




Prairie Wall(11x10x4 round)



SPECIFICATIONS

Construction

Backplate: is a .025" precoat white steel. Decorative Front: is .036" for nickel plated steel and .048" for painted or optional finishes.

Finishes

Finishes include plated satin nickel or brass and powder coated black, silver and bronze.

Electrical

ETL listed damp location. Specify 120 or 277v. Lamps by others.

Lensing

UV stable extruded matte white acrylic lens standard. Optional faux alabaster available.

Mounting

Mounts to octagon junction box or 4x4 junction box with round plaster adapter.

Modifications

Contact local representatives or factory for size, lamping, lens or finish modifications.

ORDERING LOGIC

Use matrix below to order complete fixture

Family	Model	Lamping	Voltage*	Finish	Lens	Options
PRW Prairie Wall	11x10x4 round	1x13 GX23 2x13 GX23 1x26 G24q3 2x26 G24q3 Custom	120v 277v	SN Satin Nickel SB Satin Brass BK Black Paint BZ Bronze Paint SL Silver Paint CU Custom	AC White Acrylic BA Beige Alabaster WA White Alabaster CU Custom	SH Shielding HPF***

*Required

***For 13w only