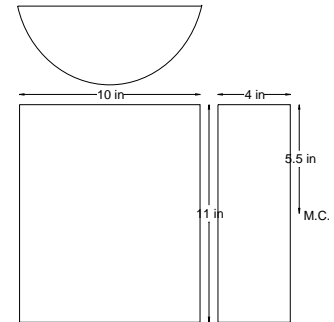




# Bauhaus Wall (11x10x4) round



## SPECIFICATIONS

### Construction

Backplate: is .025" steel.  
Front: is .036" for nickel finish  
.048" for painted or optional finishes.

### Finishes

Finishes include lacquer coated  
satin nickel and powder coated  
black, silver and bronze.

### Electrical

ETL listed dry location only.  
Specify 120 or 277v. Lamps by  
others.

### Lensing

UV stable extruded matte white  
acrylic

### Mounting

Mounts to octagon junction box  
or 4x4 junction box with round  
plaster adapter.

### Modifications

Contact local representatives or  
factory for size, lamping, lens or  
finish modifications.

## ORDERING LOGIC

Use matrix below to order complete fixture

Family	Model	Lamping	Voltage*	Finish	Options		
BAW Bauhaus Wall	11x10x4 Round	1xF13 G24q1 2xF13 G24q1 1x26 G24q3 2xF26 G24q3 Custom	120v 277v	SN Satin Nickel BK Black Paint BZ Bronze Paint SL Silver Paint CU Custom	SH Shielding		

\*Required