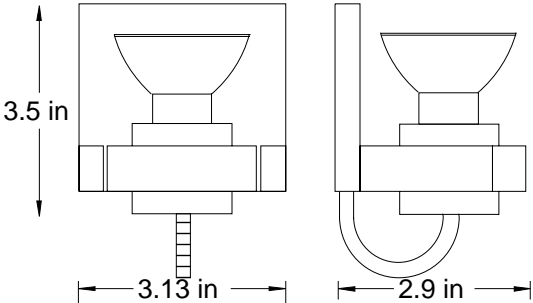




AWL.11

Tilts and Pivots



Optional Canopy



Mini Jbox by LumenArt

SPECIFICATIONS

Material

Machined aluminum with stainless steel fasteners.

Finish

Micro brushed with clear coat after fabrication before assembly.

Mounting

Mounts to 1.5"x1.5"x3.5" deep custom electrical box by LumenArt. 4" canopy available for junction boxes.

Electrical

ETL Dry location listed. Lamp by LumenArt. Use only lamps approved for open fixtures.

ORDERING LOGIC

Use matrix below to order complete fixture

Fixture	Lamping	Voltage	Options				
AWL.11	35w GU10	120V	4" CANOPY				
AWL.11	35w GU10	120v					