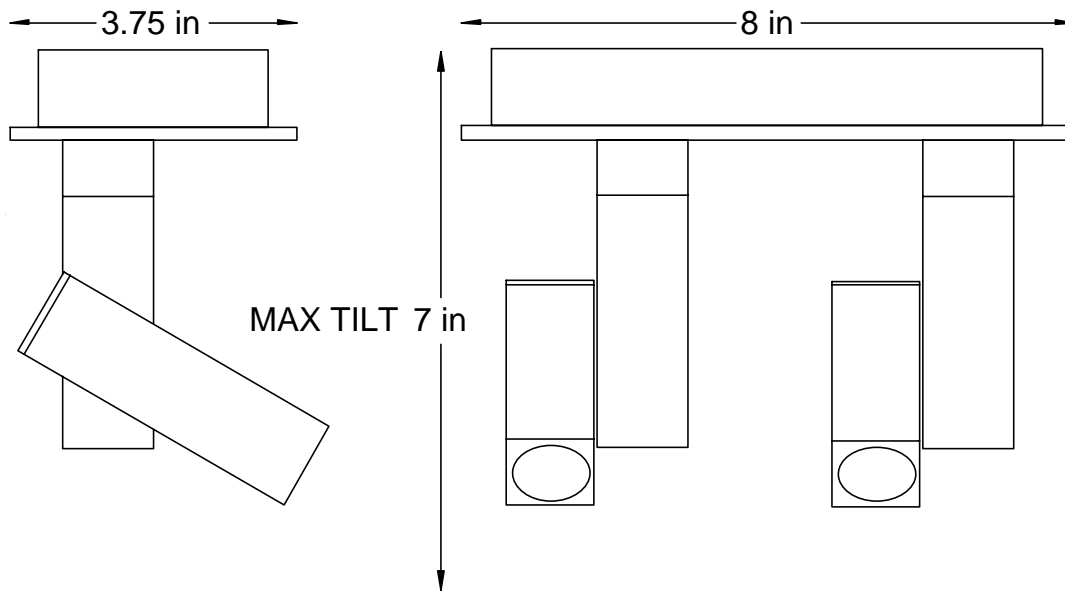




ASP.01.2



SPECIFICATIONS

Material

Machined aluminum with stainless steel fasteners.

Mounting

Mounts to a single gang/switch junction box. May be wall or ceiling mounted.

Electrical

ETL damp location listed.
Lamp by LumenArt.
12v transformer in jbox.

Finish

Micro brushed with clear coat after fabrication before assembly.

ORDERING LOGIC

Use matrix below to order complete fixture

Fixture	Lamping	Voltage					
ASP.01.2	2x35w MiniStar	120v 277v					
ASP.01.2							