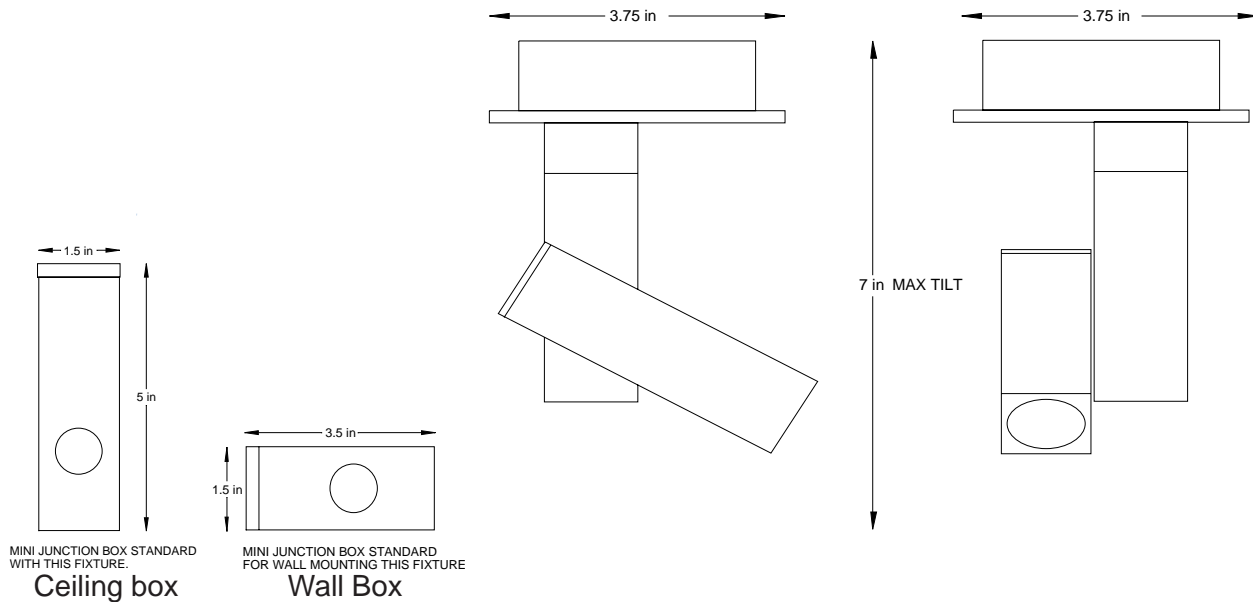




# ASP.01.1



## SPECIFICATIONS

### Material

Machined aluminum with stainless steel fasteners.

### Finish

Micro brushed with clear coat after fabrication before assembly.

### Mounting

Wall: Mounts to 1.5"x1.5"x3.5" deep custom electrical box by LumenArt.

Ceiling: Mounts to 1.5"x1.5"x5" deep custom electrical box by LumenArt.

4.25" canopy available for existing junction boxes.

### Electrical

ETL damp location listed.  
Lamp by LumenArt.  
12v transformer in jbox.

## ORDERING LOGIC

Use matrix below to order complete fixture

Fixture	Lamping	Voltage	Mount	Option			
ASP.01.1	35w MiniStar	120v 277v	Ceiling Wall	4.25"x4.25 square canopy			
ASP.01.1							